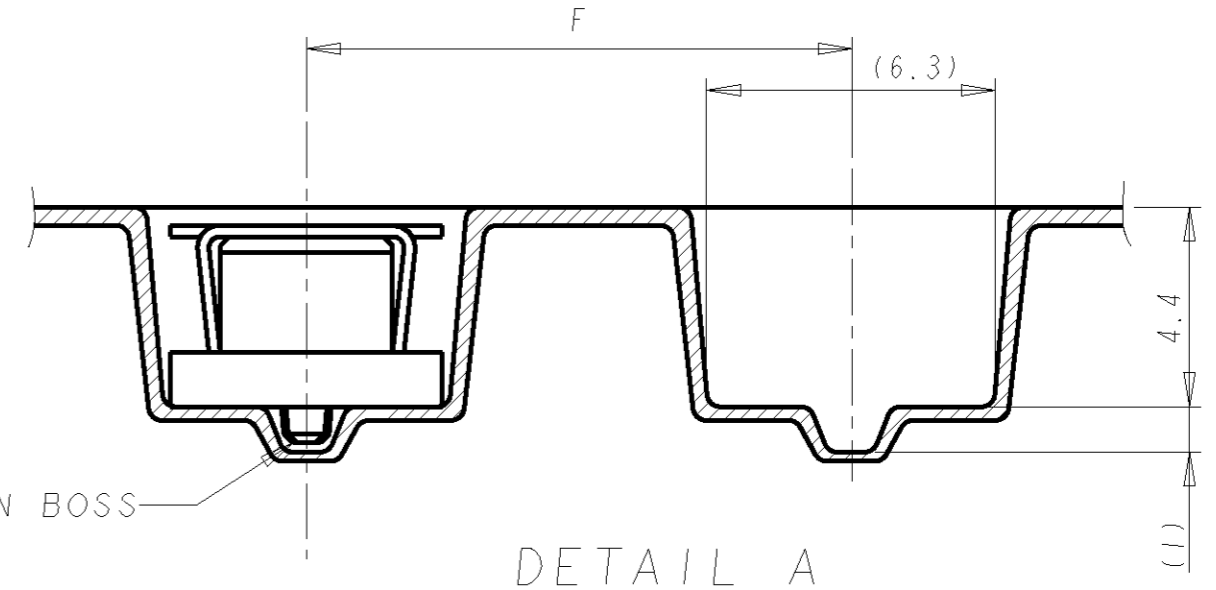
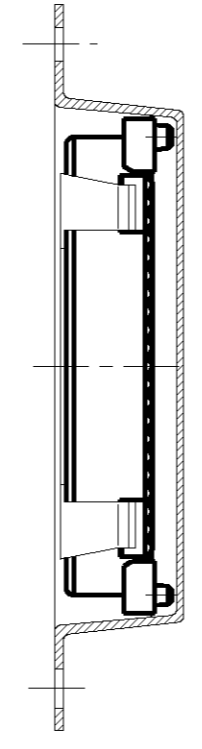
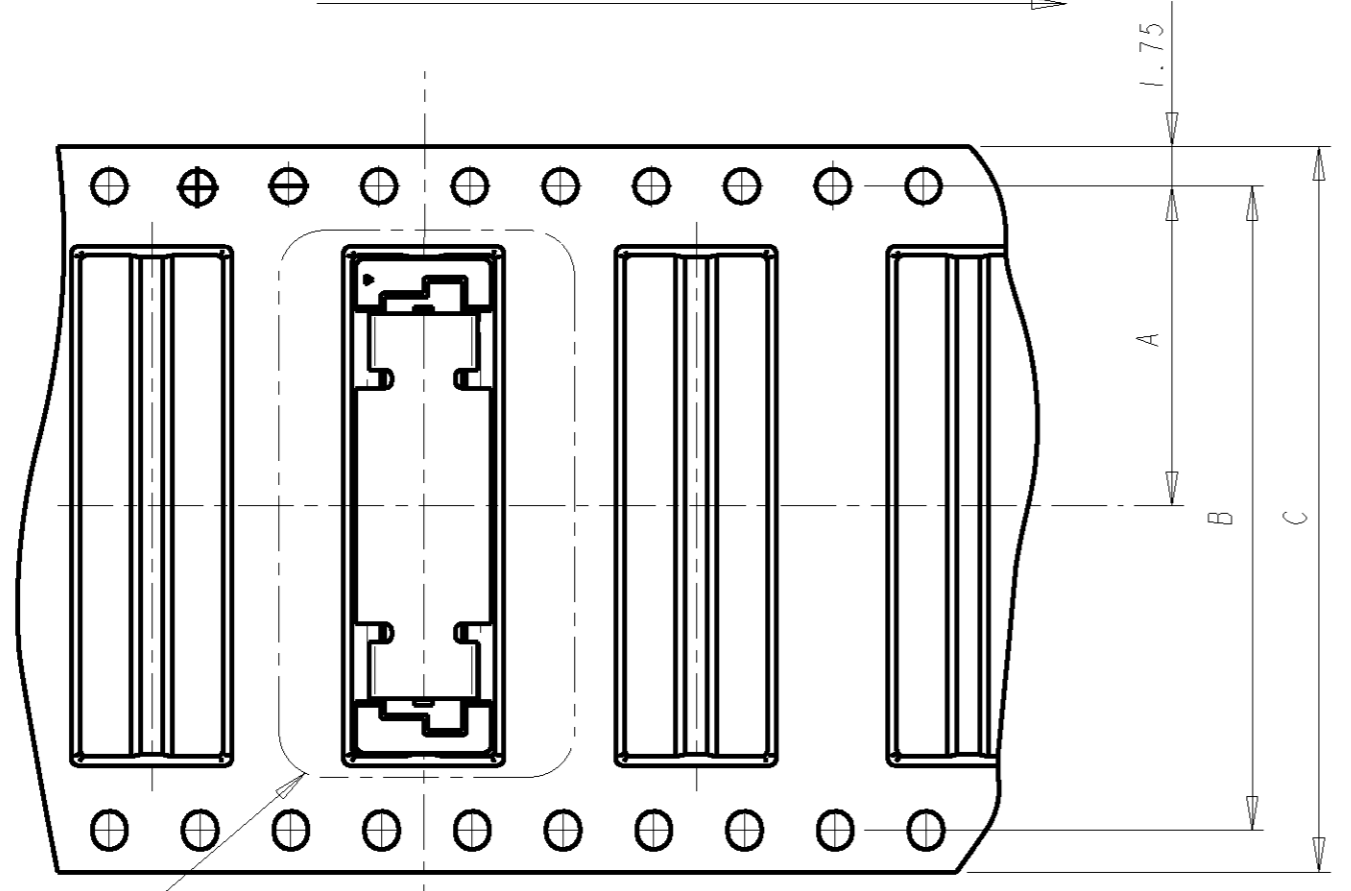


THIS DRAWING IS UNPUBLISHED. RELEASED FOR PUBLICATION  
 © COPYRIGHT BY ALL RIGHTS RESERVED.

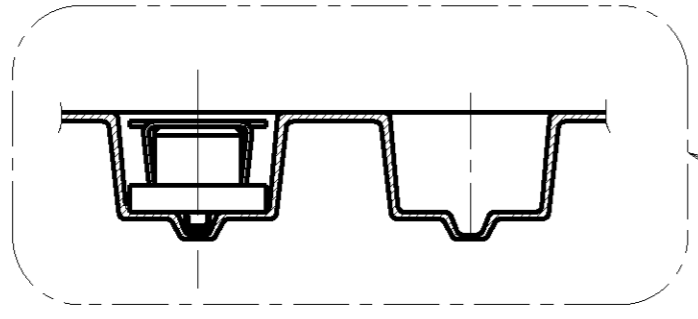
LOC		DIST		REVISIONS			
P	LTR	DESCRIPTION	DATE	DWN	APVD		
P		REVISED PER ECO-11-005139	19MAR11	RK	HMR		

DIRECTION OFF TOP OF REEL

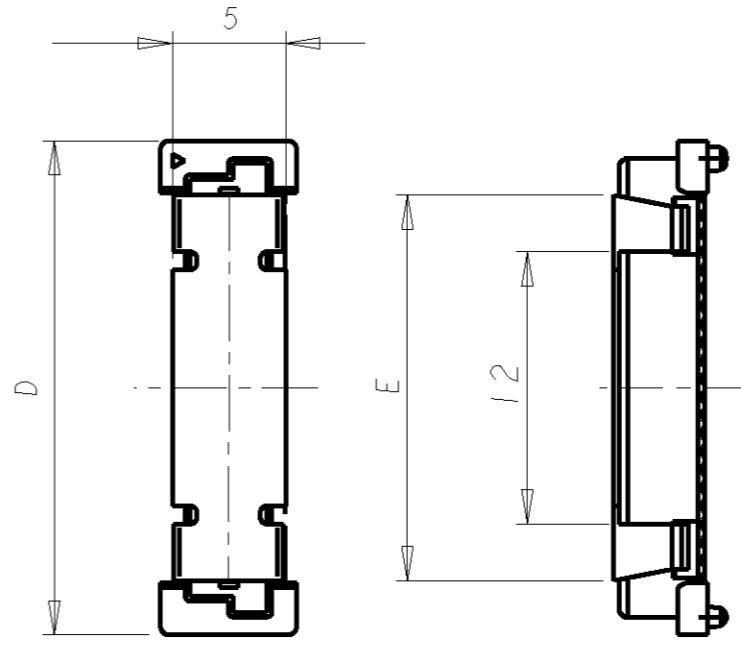


DETAIL A  
(SCALE 4-1)

DETAIL B



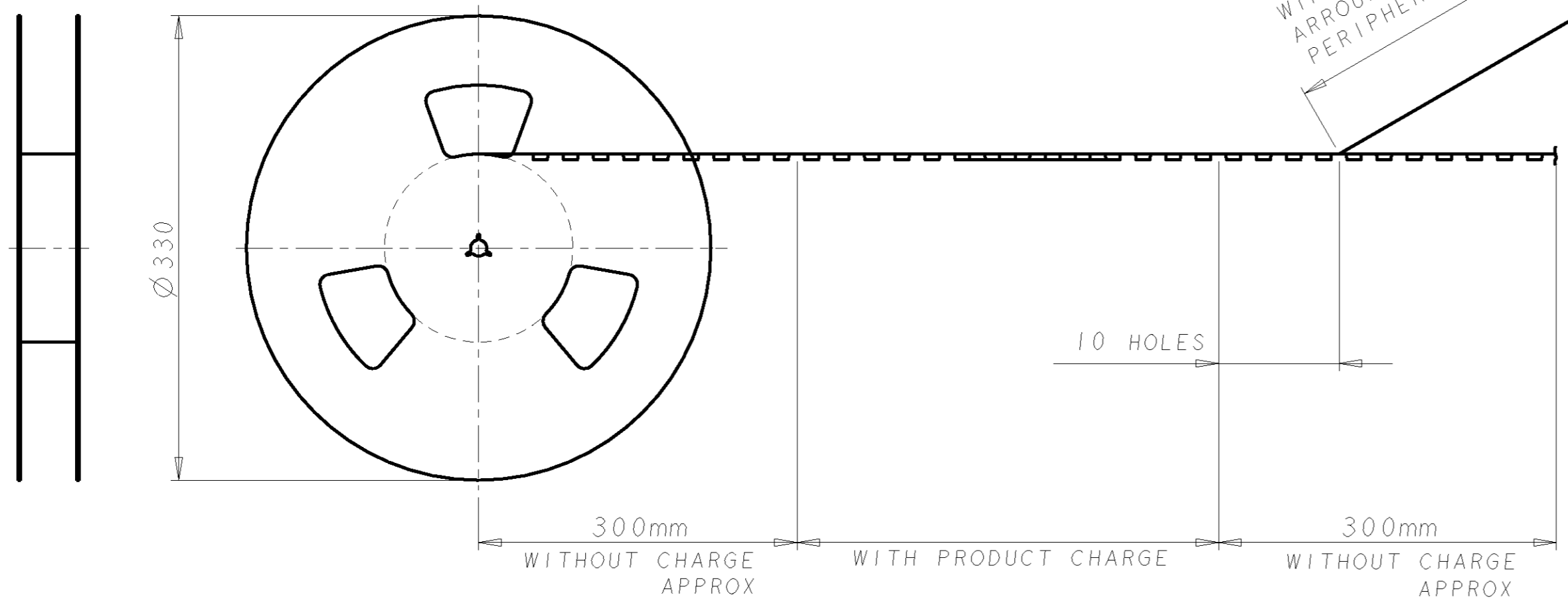
DETAIL A



DETAIL B

- NOTES:
- MATERIAL: HOUSING: L.C.P. (HIGH TEMP THERMOPLASTIC)  
UL 94V-0, NATURAL.  
CONTACT: BERYLIUM COPPER.
  - FINISH: CONTACT AREA: 0.0002 MIN GOLD ON  
0.0013 MIN ALL OVER NICKEL.  
SOLDERING AREA: 0.002 MIN MATTE TIN.
  - POSITION SERIES: SEE TABLE.
  - CONN STACK HEIGHT COMBINE OF PLUG "Y" H VS REC "X" H.  
STACK HEIGHT = Y + X - 5
  - FINISH: CONTACT AREA: 0.00038 MIN GOLD ON  
0.0013 MIN ALL OVER NICKEL.  
SOLDERING AREA: 0.002 MIN MATTE TIN.

WINDING THE COVER TAPE  
AROUND THE OUTER  
PERIPHERY IN A TURN.



FINISH	QTY	F	E	D	C	B	A	POS	CONN P/N	PART NO.		
15Au-Sn 5	700	16	85.8	104	100.4	50.2	200	2-	-0	2-	-0	
			77.8	104	100.4	50.2	180	1-	-9	1-	-9	
	1000	12	17	70.1	88	84.4	42.2	160	1-	-8	1-	-8
				61.8	88	84.4	42.2	140	1-	-6	1-	-6
	700	16	17	53.8	72	68.4	34.2	120	1-	-5	1-	-5
				45.8	72	68.4	34.2	100	1-	-4	1-	-4
	1000	12	17	37.8	56	52.4	26.2	80	1-	-3	1-	-3
				29.8	44	40.4	20.2	60	1-	-2	1-	-2
	08Au-Sn 2	700	16	85.8	104	100.4	50.2	200	1-	-0	1-	-0
				77.8	104	100.4	50.2	180		-9		-9
1000		12	17	69.8	88	84.4	42.2	160		-8		-8
				61.8	88	84.4	42.2	140		-6		-6
700		16	17	53.8	72	68.4	34.2	120		-5		-5
				45.8	72	68.4	34.2	100		-4		-4
1000		12	17	37.8	56	52.4	26.2	80		-3		-3
				29.8	44	40.4	20.2	60		-2		-2
				21.8	32	28.4	14.2	40				-1
				85.8	104	100.4	50.2	200	1-	-0	1-	-0
			77.8	104	100.4	50.2	180		-9		-9	
			69.8	88	84.4	42.2	160		-8		-8	
			61.8	88	84.4	42.2	140		-6		-6	
			53.8	72	68.4	34.2	120		-5		-5	
			45.8	72	68.4	34.2	100		-4		-4	
			37.8	56	52.4	26.2	80		-3		-3	
			29.8	44	40.4	20.2	60		-2		-2	
			21.8	32	28.4	14.2	40				-1	
									5177983-1		5177985-1	

DIMENSIONS: mm		TOLERANCES UNLESS OTHERWISE SPECIFIED:		DWN SK LEAW 17MAY2004		CHK ERIC TNG 17MAY2004		APVD SF LEONG		TE Connectivity	
MATERIAL		SEE P/N TABLE		PRODUCT SPEC 108-5390		APPLICATION SPEC 114-5254		WEIGHT -		NAME RECEPTACLE ASSEMBLY 5H TYPE (0.5 BOSS LENGTH) FOR FH 0.8 B-T-B CONN, ON TAPING	
				SCALE 3:1		SHEET 1 OF 1		REV P		DRAWING NO 5177985	

5177985